



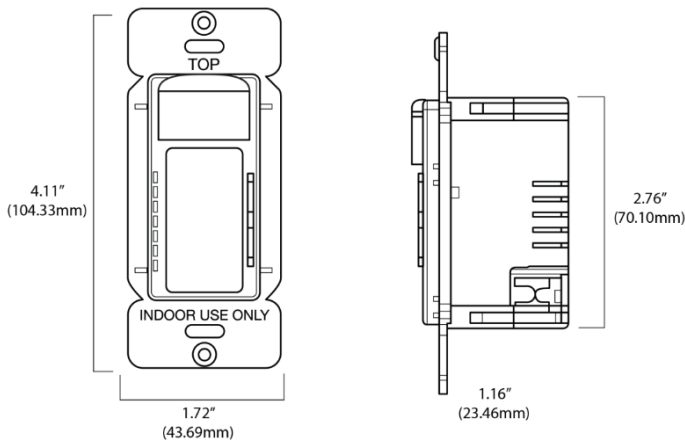
### APPLICATIONS

BlueMesh's Wireless Occupancy Sensor Dimming Wall Controller (BMWS-M-1BT-PIR-1-BLE-SR-WH) provides automatic, occupancy-based lighting control for a variety of indoor applications. It can be mounted in any standard single-gang wall box. The BMWS-M-1BT-PIR-1-BLE-SR-WH controls all of the lights in a specific zone. The unit also functions as a dimmer to override the pre-configured occupancy sensor settings. PIR detection is best suited for areas with clear line of sight. Typical applications include classrooms, copy rooms, private offices, conference rooms, and private restrooms.

### OVERVIEW

- Bluetooth® NLC Certified
- Passive Infrared (PIR) Occupancy Sensor
- Manual on/off (wireless)
- Conforms with DLC NLC5 Cybersecurity Standards
- Dim up/down (wireless)
- LED Status Indicator Light
- Mounts in any Standard Wall Box
- Color: White

### PHYSICAL DIMENSIONS



### OPERATION

#### BlueMesh® Controls:

The BMWS-M-1BT-PIR-1-BLE-SR-WH wall controller is a Bluetooth NLC certified device by the Bluetooth SIG and offers true multi-vendor interoperability. Configuration of the device and mesh network is accomplished via the BlueMesh web portal or iOS mobile app. The app is used for initial setup and subsequent parameter adjustment.

Advanced functionality such as energy monitoring, and demand response is available with the BlueMesh Gateway (ordered separately).

See BlueMesh® Commissioning User Manual for more information.

### SUMMARY

**Sensor Type:**  
PIR Occupancy/Vacancy Sensor Dimmer

**Input Voltage**  
120-277 VAC, 50/60Hz I Max 1.5W

**Mounting:** Standard wall box  
**Max Range:**  
40 ft @ 4ft mounting height  
(12.2m @ 1.2m mounting height)  
**Max Bluetooth Range:**  
30ft (9.14m)

**Operating Temperature:**  
0° to 55°C (32°F to 131°F)

**Storage Temperature:**  
-10° to 60°C (-14°C to 140°F)

**Relative Humidity:**  
90-95% non-condensing at 30°C

**Color:**  
White

Note:

1. Bluetooth Range is highly dependent on the integration of fixtures, surrounding environment and conditions. It is recommended to conduct testing for Bluetooth range accuracy.

## ORDERING INFORMATION

Example: BMWS-M-1BT-PIR-1-BLE-SR-WH

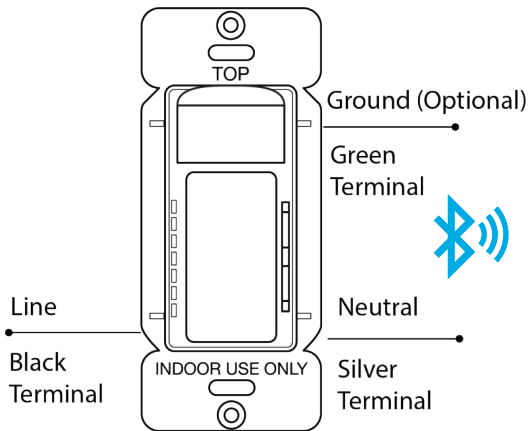
Model No.	Description	Input Voltage
BMWS-M-2BT-PIR-1-BLE-SR-WH	Wireless PIR Occupancy Sensor Dimming Wall Controller, BlueMesh® (decorator plate not included)	120-277 VAC, 50/60Hz

**Add Suffix for options:**

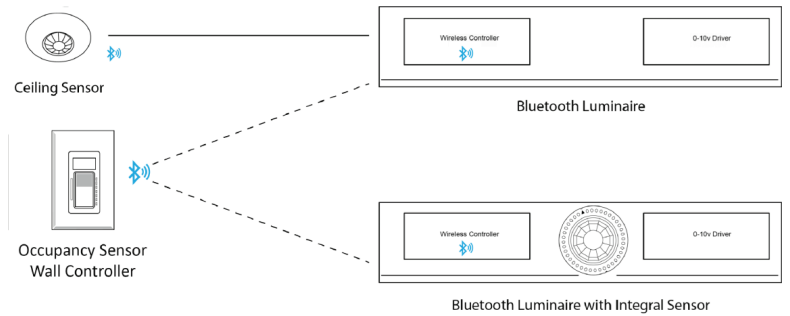
- WH** - White
- IV** - Ivory
- LA** - White
- GY** - Gray
- BK** - Black
- RD** - Red

\* White color is standard. Optional and Custom colors will ask for additional charge.

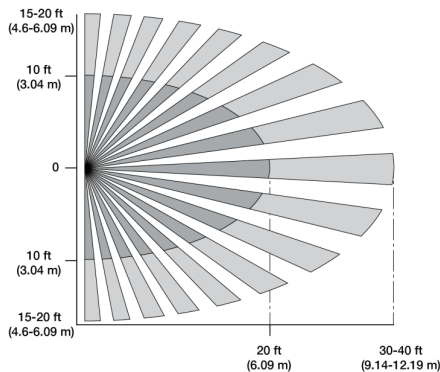
## WIRING DIAGRAM



## Examples

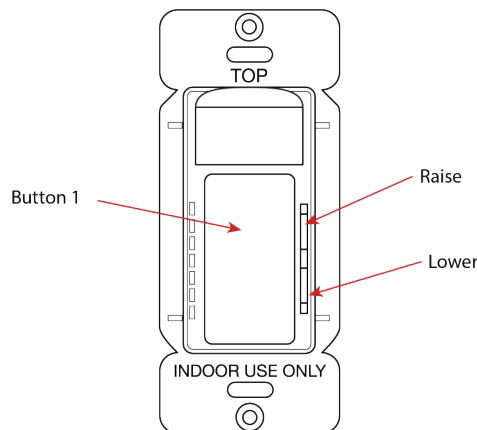


## Detection Area



Drawings are not to scale

## Wireless Manual Control



Button 1 for On/Off:  
 Short press - AUTO/ON  
 Second short press - OFF  
 Auto = Resume automatic control; turns on the automatic settings for luminaires (defined by the settings profile).  
 For dimming:  
 Raise Rocker  
 Lower Rocker  
 Factory reset:  
 Hold both Button 1 and Lower Toggle for 10 sec. The device returns to an un-provisioned state.

## WARRANTY

Five year limited warranty.

Specifications subject to change without notice.